

Technical data sheet

Product features



Cooling tabletop electric GN1/1, 2x 1/2 drawers, without rim, stainless steel, 230 V OOP

| | | |
|--------------|-----------------|----------|
| Model | SAP Code | 00006039 |
|--------------|-----------------|----------|

– Max ambient temperature [°C]: 43



| | | | |
|------------------------|----------|----------------------------|--------------------|
| SAP Code | 00006039 | Net Weight [kg] | 120.00 |
| Net Width [mm] | 1380 | Power electric [kW] | 0.320 |
| Net Depth [mm] | 700 | Loading | 230 V / 1N - 50 Hz |
| Net Height [mm] | 850 | | |

Technical data sheet

Technical drawing

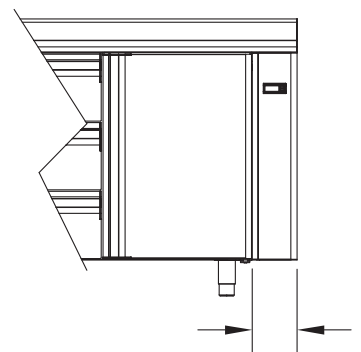
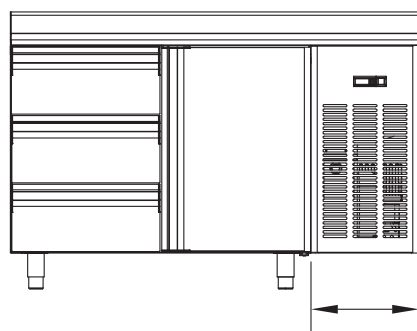
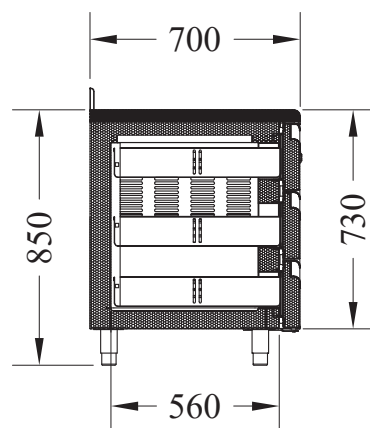
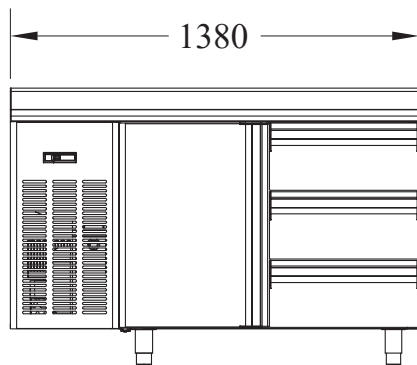
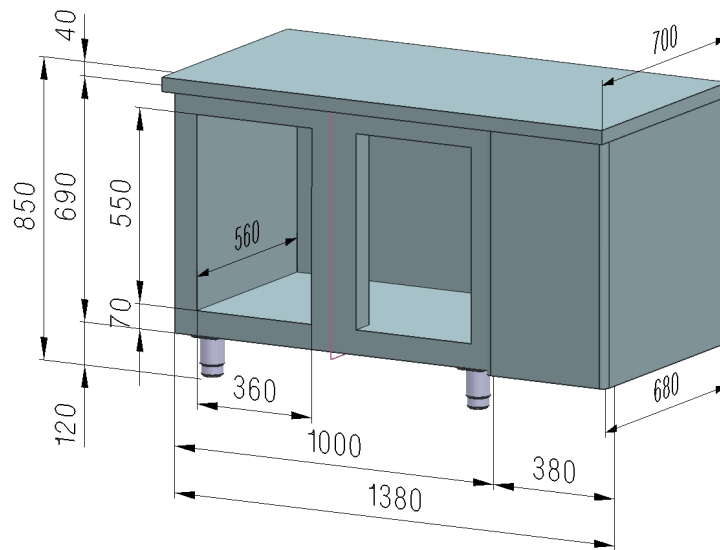


Cooling tabletop electric GN1/1, 2x 1/2 drawers, without rim, stainless steel, 230 V OOP

Model

SAP Code

00006039



Technical data sheet

Technical parameters



Cooling tabletop electric GN1/1, 2x 1/2 drawers, without rim, stainless steel, 230 V OOP

Model

SAP Code

00006039

1. SAP Code:

00006039

2. Net Width [mm]:

1380

3. Net Depth [mm]:

700

4. Net Height [mm]:

850

5. Net Weight [kg]:

120.00

6. Gross Width [mm]:

1450

7. Gross depth [mm]:

750

8. Gross Height [mm]:

900

9. Gross Weight [kg]:

140.00

10. Device type:

Electric unit

11. Power electric [kW]:

0.320

12. Loading:

230 V / 1N - 50 Hz

13. Min ambient temperature [°C]:

10

14. Max ambient temperature [°C]:

43

15. Gross Volume [m3]:

0.979

16. Net Volume [m3]:

0.821

17. Cross-section of conductors CU [mm²]:

0,5

- Výkon (kW): 2,4-3,3 (230 V)